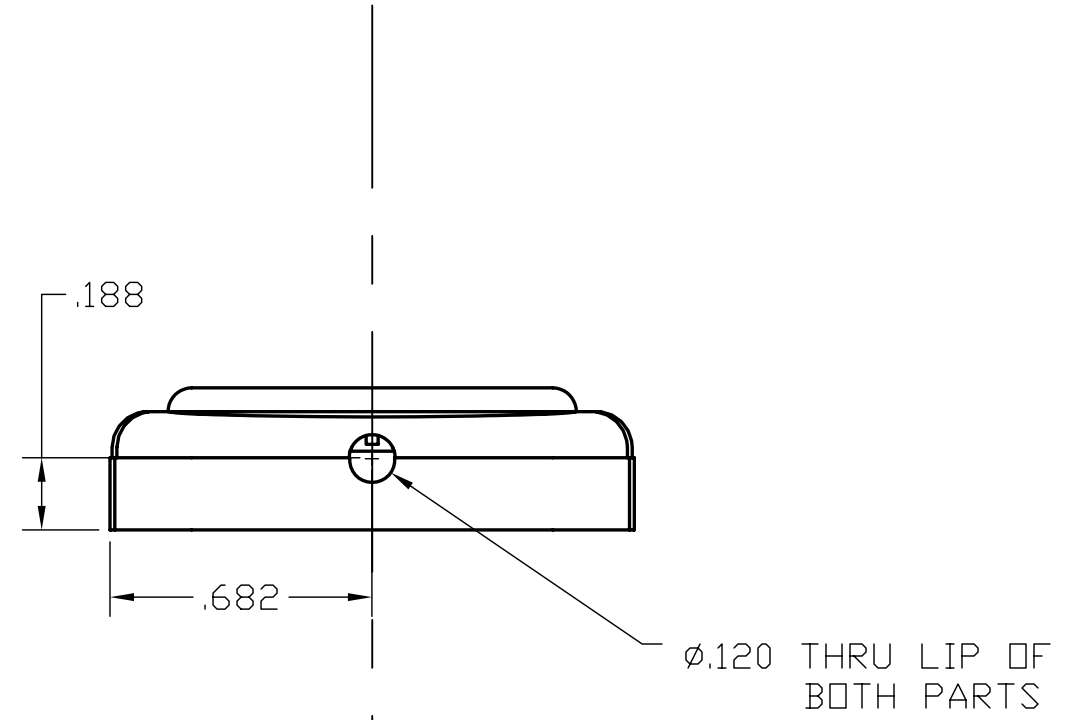
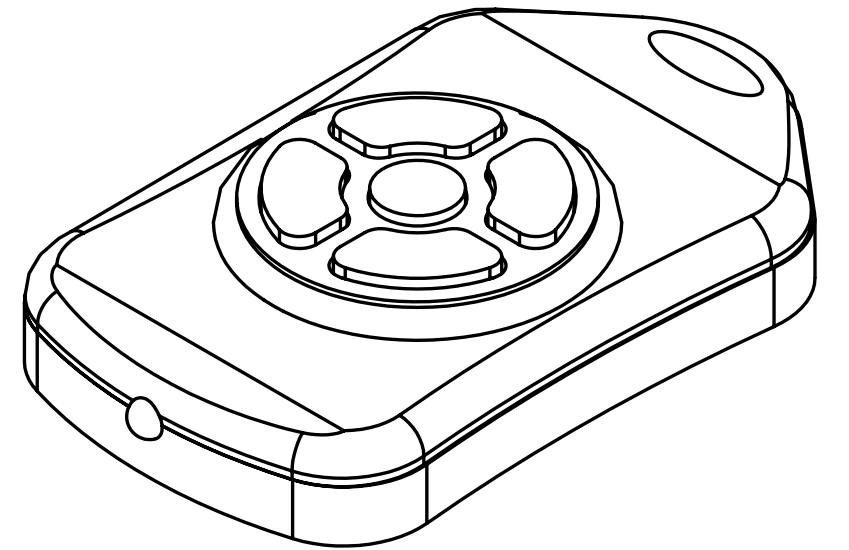
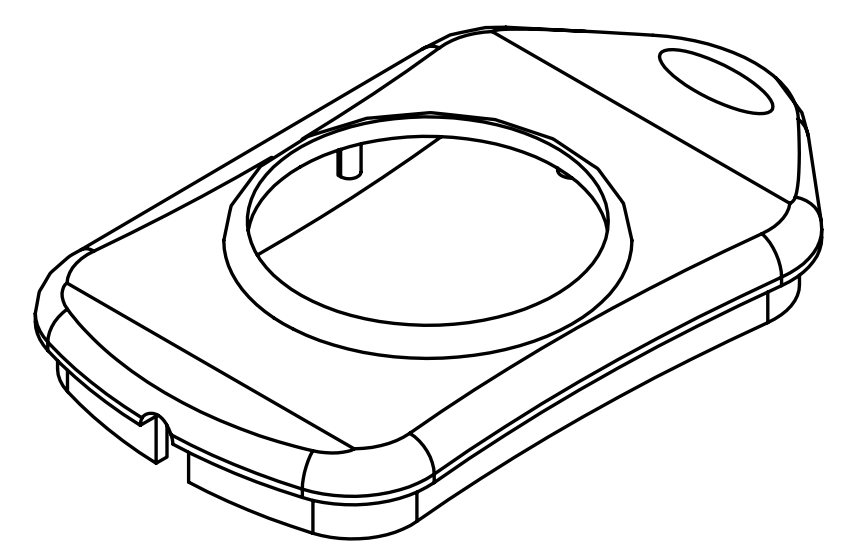
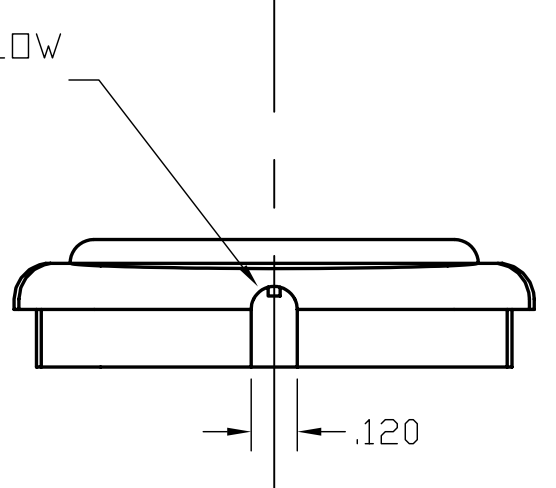


4 3 2 1

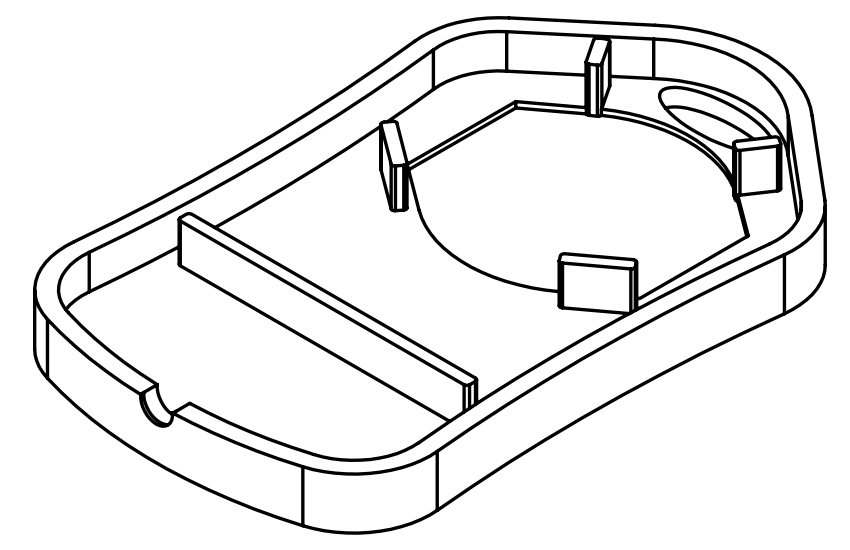
REVISIONS			
REV	DESCRIPTION	DATE	APPROVED



SLOT TOP PIECE TO ALLOW LED TO FEED THROUGH



NOTE: POLYCASE FB-20 ENCLOSURE CAN BE 1,2,3,4,OR 5 BUTTON VERSION (5 BUTTON VERSION SHOWN)



UNLESS OTHERWISE SPECIFIED TOLERANCES ARE IN THICKS DECIMALS ANGULAR ° XXX & .XX BY NET SCALE DRAWINGS TREATMENT FINISH RIGHT ANGLE PROJECTION	CONTRACT NO.		DATE	
	APPROVALS		DATE	
	DESIGNED	CHECKED	SIZE	FORM NO.
	DESIGN ACTIVITY	CUSTOMER	SCALE	SHEET
TITLE: ENCLOSURE MODIFICATION OF FB-20 FOR T-1 LED			REV	REV
			C	IR0101
			2:1	1 OF 1

4 3 2 1

D

D

C

C

B

B

A

A

ENC. 20-101